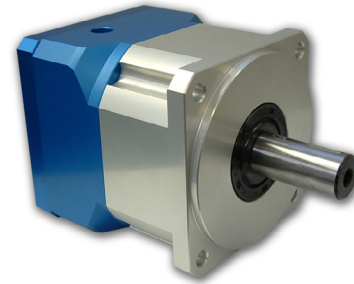


GBPH-150x-NP Series



FEATURES

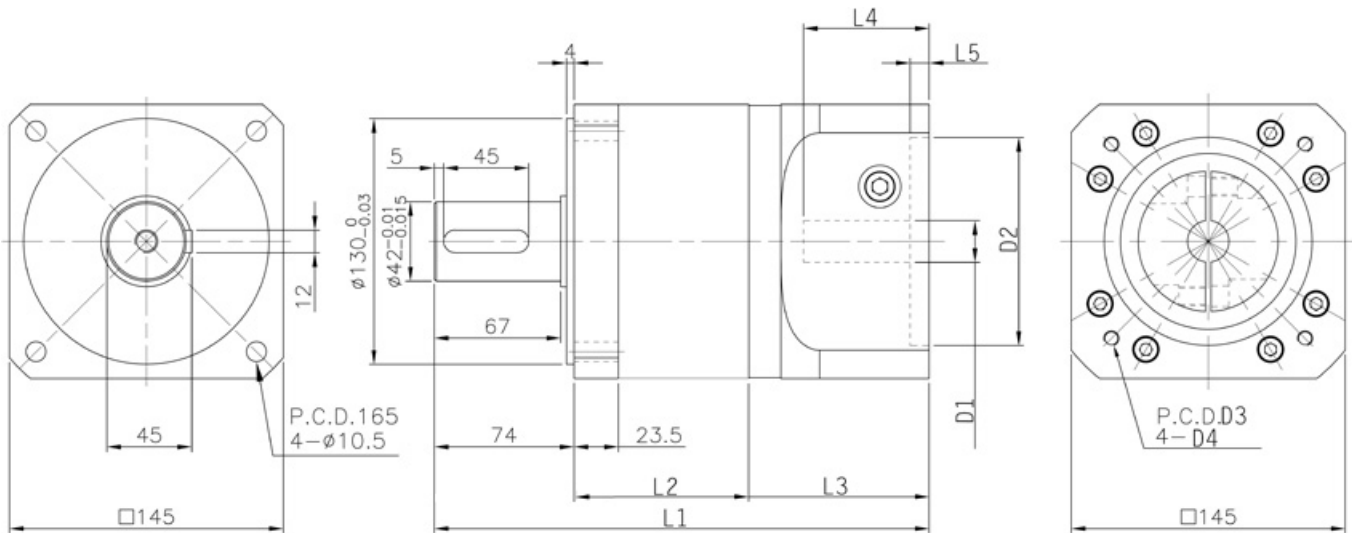
- Backlash as Low as 6 arc-min
- Gear Ratios From 3 to 1000
- Available in 1, 2 and 3 Stage Models
- Patented Precision Clamping System
- Lifetime Lubrication
- High Durability
- Operating Temperature of -15° to 90°C



DESCRIPTION

The GBPH-150-NP Series Planetary Gearbox offers you the precision you need at the prices you want! This Planetary Gearbox is designed with very low backlash for motion control, automation, and robotic applications requiring precise position requirements. This Planetary Gearbox will match many servos or steppers and is ideal for NEMA58 motors. Designed with the goal of offering a cost-effective product without sacrificing quality, you will find that this Planetary Gearbox offers you an extraordinary value. Please verify all dimensions when matching a gearbox to a specific motor, as critical dimensions will vary among series and manufacturers.

DIMENSIONS



Units in mm

ITEM	DESCRIPTION	MOTOR INTERFACE
		EM130-866
D1	Input Shaft Diameter	22
L4	Max Shaft Length	66.5
L3	Motor Mount Length	95
D2	Pilot Diameter	110
L5	Pilot Depth	10
D3	Mounting Bolt Hole Circle	145
D4	Bolt Hole Size	M8

L010486

Model #	Gear Ratio (X:1)	Rated Output Torque (in-lb)	Max Output Torque (in-lb)	Rated Input Speed (RPM)	Stages	Backlash Maximum (arcmin)	L2 Length (mm)	Weight (lbs)
GBPH-1501-NP-003-xxxx-yyy	3	4213	12639	3000	1	6	66	28.7
GBPH-1501-NP-004-xxxx-yyy	4	4957	14870	3000	1	6	66	28.7
GBPH-1501-NP-005-xxxx-yyy	5	4744	14232	3000	1	6	66	28.7
GBPH-1501-NP-007-xxxx-yyy	7	4603	13808	3000	1	6	66	28.7
GBPH-1501-NP-010-xxxx-yyy	10	4213	12639	3000	1	6	66	28.7
GBPH-1502-NP-009-xxxx-yyy	9	4213	12639	3000	2	10	118	37.5
GBPH-1502-NP-012-xxxx-yyy	12	4213	12639	3000	2	10	118	37.5
GBPH-1502-NP-015-xxxx-yyy	15	4957	14870	3000	2	10	118	37.5
GBPH-1502-NP-016-xxxx-yyy	16	4957	14870	3000	2	10	118	37.5
GBPH-1502-NP-020-xxxx-yyy	20	4957	14870	3000	2	10	118	37.5
GBPH-1502-NP-021-xxxx-yyy	21	4603	12639	3000	2	10	118	37.5
GBPH-1502-NP-025-xxxx-yyy	25	4957	14870	3000	2	10	118	37.5
GBPH-1502-NP-028-xxxx-yyy	28	4957	13808	3000	2	10	118	37.5
GBPH-1502-NP-030-xxxx-yyy	30	4213	12639	3000	2	10	118	37.5
GBPH-1502-NP-035-xxxx-yyy	35	4603	13808	3000	2	10	118	37.5
GBPH-1502-NP-040-xxxx-yyy	40	4957	14870	3000	2	10	118	37.5
GBPH-1502-NP-049-xxxx-yyy	49	4602	13806	3000	2	10	118	37.5
GBPH-1502-NP-050-xxxx-yyy	50	4744	14232	3000	2	10	118	37.5
GBPH-1502-NP-070-xxxx-yyy	70	4603	13808	3000	2	10	118	37.5
GBPH-1502-NP-100-xxxx-yyy	100	4603	13808	3000	2	10	118	37.5
GBPH-1503-NP-048-xxxx-yyy	48	4602	13808	3000	3	10	170	48.5
GBPH-1503-NP-064-xxxx-yyy	64	4602	13808	3000	3	10	170	48.5
GBPH-1503-NP-075-xxxx-yyy	75	4602	13808	3000	3	10	170	48.5
GBPH-1503-NP-080-xxxx-yyy	80	4602	13808	3000	3	10	170	48.5
GBPH-1503-NP-112-xxxx-yyy	112	4602	13808	3000	3	10	170	48.5
GBPH-1503-NP-125-xxxx-yyy	125	4602	13808	3000	3	10	170	48.5
GBPH-1503-NP-147-xxxx-yyy	147	4602	13808	3000	3	10	170	48.5
GBPH-1503-NP-160-xxxx-yyy	160	4602	13808	3000	3	10	170	48.5
GBPH-1503-NP-175-xxxx-yyy	175	4602	13808	3000	3	10	170	48.5
GBPH-1503-NP-196-xxxx-yyy	196	4602	13808	3000	3	10	170	48.5
GBPH-1503-NP-245-xxxx-yyy	245	4602	13808	3000	3	10	170	48.5
GBPH-1503-NP-250-xxxx-yyy	250	4602	13808	3000	3	10	170	48.5
GBPH-1503-NP-300-xxxx-yyy	300	4602	13808	3000	3	10	170	48.5
GBPH-1503-NP-400-xxxx-yyy	400	4602	13808	3000	3	10	170	48.5
GBPH-1503-NP-490-xxxx-yyy	490	4602	13808	3000	3	10	170	48.5
GBPH-1503-NP-500-xxxx-yyy	500	4602	13808	3000	3	10	170	48.5

Part numbers are based on the specifications of the motor being matched to the gearbox.

-xxxx denotes motor pilot, -yyy denotes input shaft diameter.

Refer to *Matching the Gearbox to Your Motor* on the first page for more information, or contact an Anaheim Automation Applications Engineer for assistance.

Radial Load:	2248 lbs - Force	Axial Load:	2698 lbs - Force
Operating Temperature:	-15° to 90°C	Noise Level:	64 dB
Efficiency:	3~10: ≥ 97; 12~100: ≥ 94; 112~1000: ≥ 95	IP Rating:	IP65

Matching the Gearbox to Your Motor

To ensure compatibility with the gearbox, it is important to consider that the motor specifications are within the listed ranges below. Bolt Circle Diameter, Input Shaft Diameter, Input Shaft Length, Pilot Thickness, Pilot Diameter and Hole Diameter are required in order to match the motor with the appropriate gearbox, and will be used to determine the complete part number. Please see the Gearbox Mounting form downloadable from our website under *Support -Technical Support -Installations* for more information on required motor data.

Parameter	Range
Bolt Hole Circle Diameter	115mm to 145mm
Input Shaft Diameter	22mm to 42mm
Input Shaft Length	85mm Max
Pilot Thickness	10mm Max
Pilot Diameter	95mm to 130mm
Hole Diameter	Any Size